

1

2

3

4

5

6

7

Rf.nr

Qty

Revision

Date

Intro.

Appr.by

A

A

B

B

C

C

D

D

E

E

F

F

G

G

H

H

I

I

J

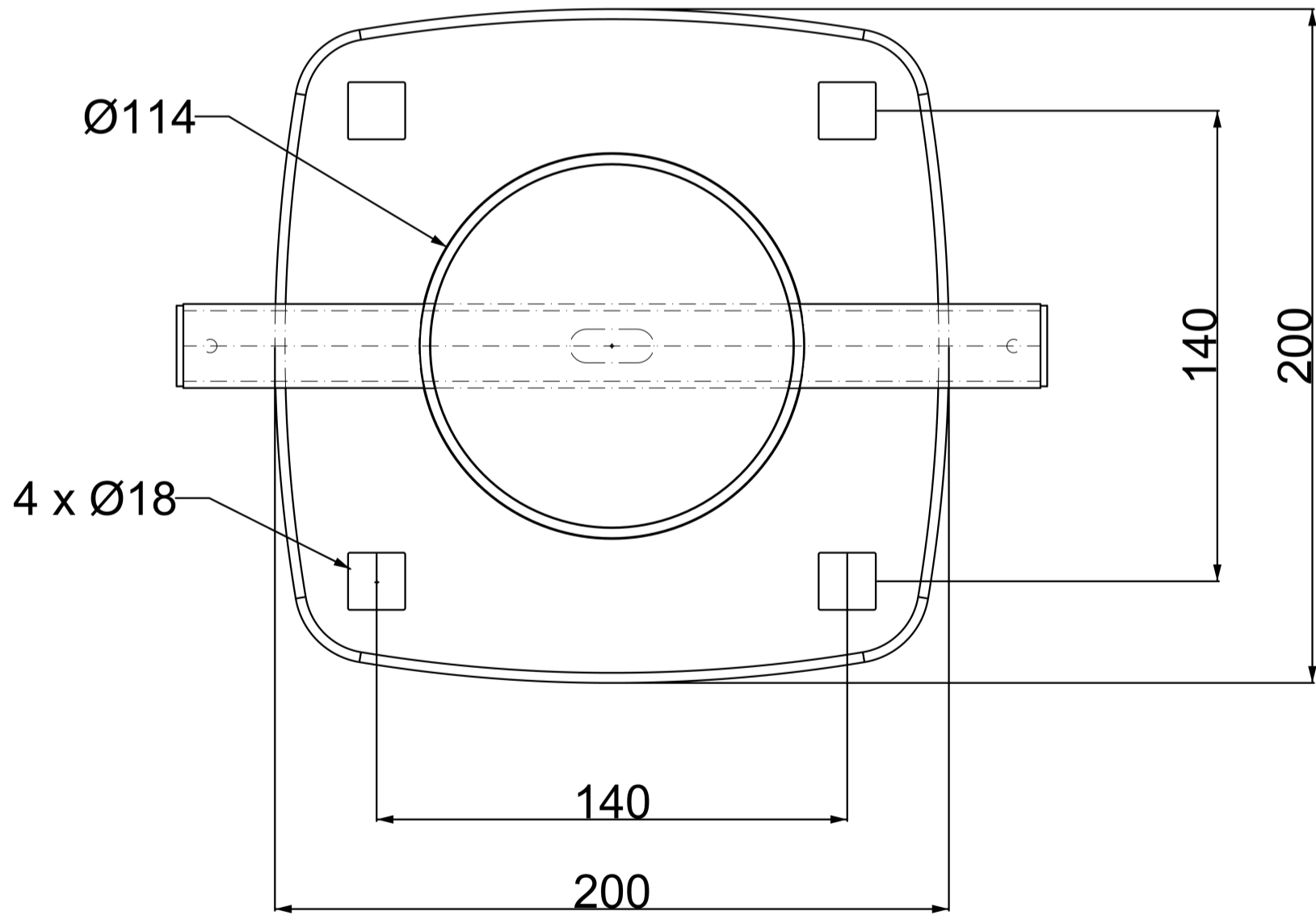
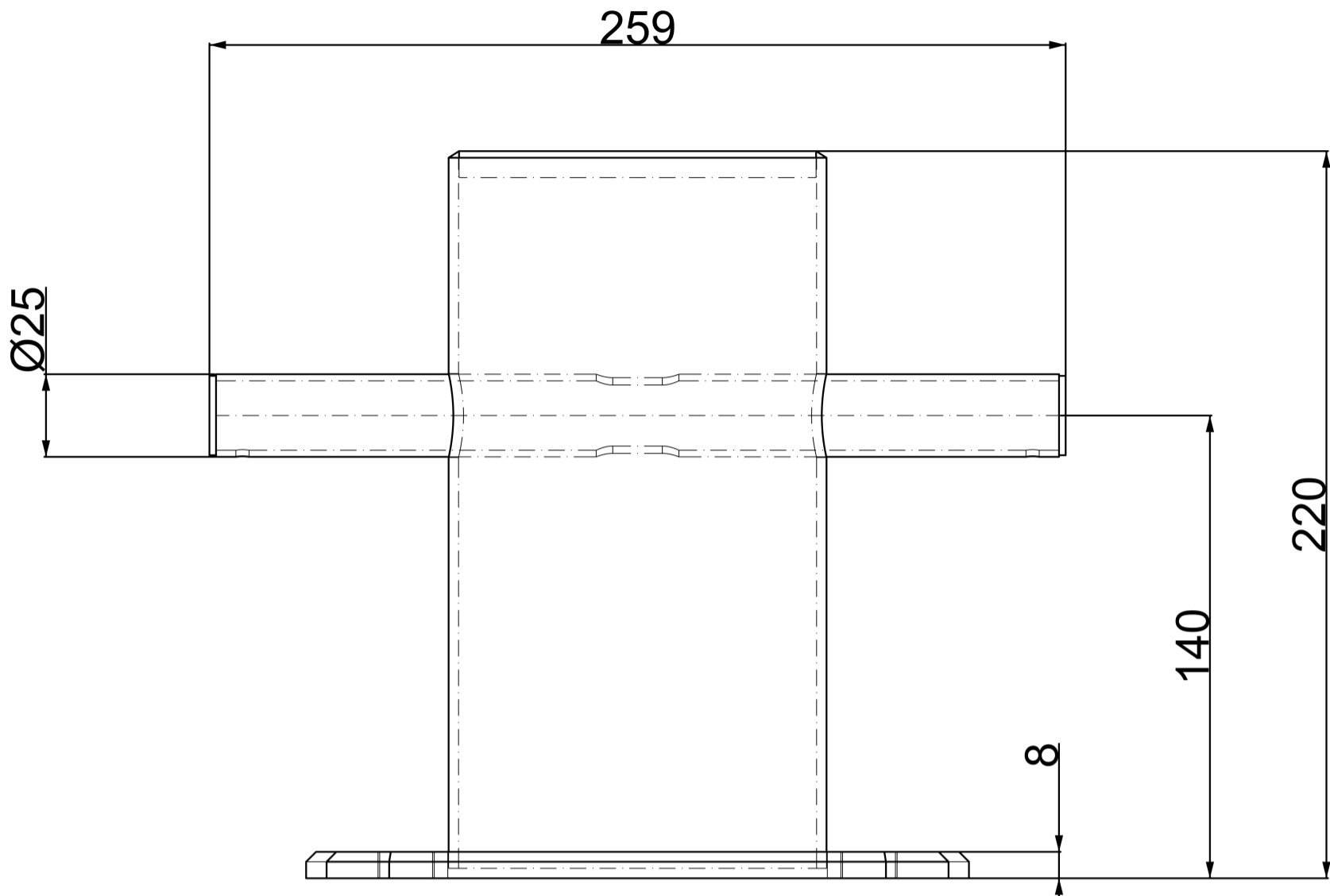
J


K

K

L

L



Ref.no.	Qty.	Part name			Material	Dimension	Remark	
Design by TP	Drawn by TP	Copied	Checked	Standard	Affirmed	Scale	Replace	Replaced by
 <b>JOR108</b>						File	Date 12.10.2006	
						Drawing no. JOR108		

1

2

3

4

5

6

7